

Area Representative:
Bud Rogers
 (214) 592-0039
 bud@bud-rogers.com

Leak Detection Products

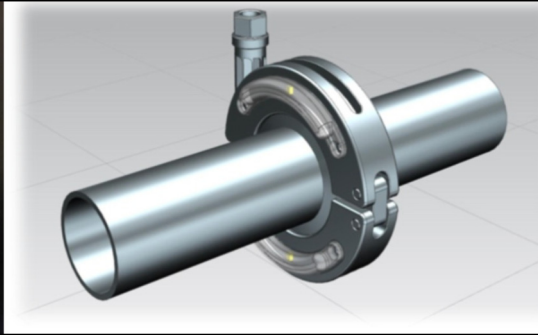
Clamps, Resins, and Tapes

www.TexTechLLC.com

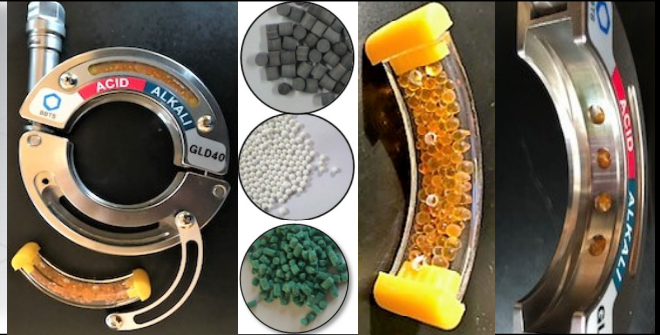
Are your plumbing line connections leaking?
Use Smart Clamps to know that your seals are leak free!



Vacuum Clamp



Application Example

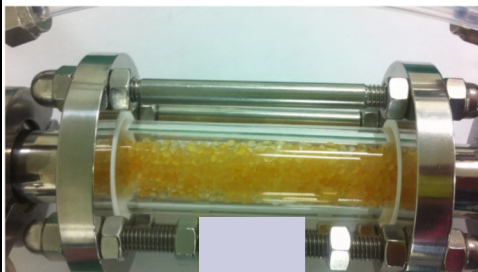


Engineered Resins

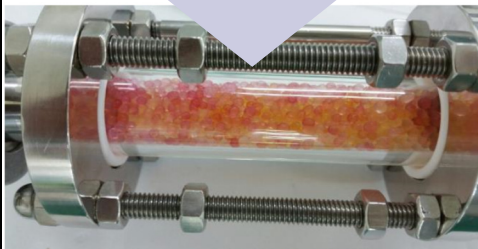
These innovative safety clamps are equipped with transparent housings. Clamp 'seal integrity' is constantly monitored by a resin that changes color when gas byproduct is detected.

Color Change Test

50ppm HCl at flow rate 1 LPM



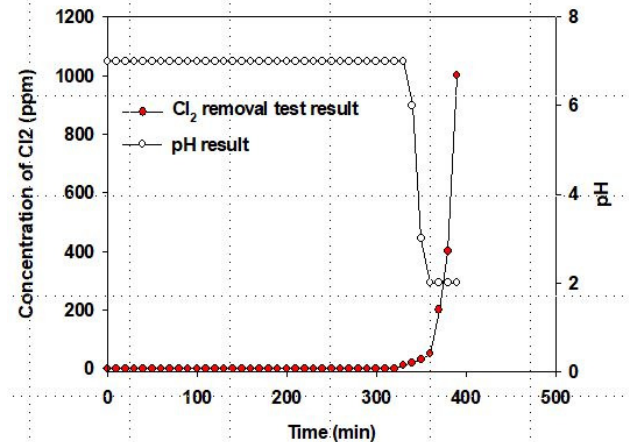
After
2 Minutes



Offering a variety of engineered resins suitable for gas detection and abatement

Example Test Results: SKR-00 used for Neutralizing Chlorine Gas

- Resin: SKR-00
- Shape: Pellet Type
- Feed Gas: 0.5% Cl₂/N₂
- Linear Velocity: 0.2m/s
- Temperature: 25C
- Packing Amount: 35ml
- Lifetime: 350 mins



55 Liters of Cl₂ removed per 1 Liter of SKR-00

PH Tape for Detecting Liquid Chemical or Gas Leaks

These specialty tapes detect leaks by way of visual color change. Sensitive to Acid/Alkali and Ozone.

